

Applications for REKOFA™ Hybrid Rotary Joints



Automation



Food & Beverage



Construction



Rotating Doors



Irrigation



Printing



Medicine



Radar



POD



Special Applications



Textile



Packaging



Defence



Machine Tools



Wind generator

Moog Rekofa GmbH

Headquarter
Bergstraße 41
53533 Antweiler/Ahr

Germany

Phone: +49 2693-9333-0
Fax: +49 2693-9333-209
info@moog.rekofa.com

Moog Rekofa GmbH

Local production / Sales Office FRA + ESP
1 Rue Jean Antoine Chaptal
51470 St. Memmie

France

Phone: +33-32621-2020
Fax: +33-32621-2154
farcana@moog.rekofa.com

Technical Sales Office Italy

40052 Baricella (Bologna)
Phone: +39-3474674163
gmusoni@moog.rekofa.com

Technical Sales Office India

560043 Bangalore
Phone: +91-9740067428
kkumar@moog.rekofa.com

Technical Sales Office China

200137 Shanghai
Phone: +86-2128931612
cwu2@moog.com

www.moog.rekofa.com

www.moog.com

Moog and Rekofa are registered trademarks of Moog Inc.
All trademarks as indicated herein are the property of Moog Inc. and its subsidiaries.
© 2017 Moog Rekofa GmbH. All rights reserved. All changes reserved.

Moog Rekofa GmbH – Slip ring transmitter for reel stands
Moog Rekofa GmbH / PDF-Rev. 0 / Nov 2017 / Id. MR-Carnott-1117



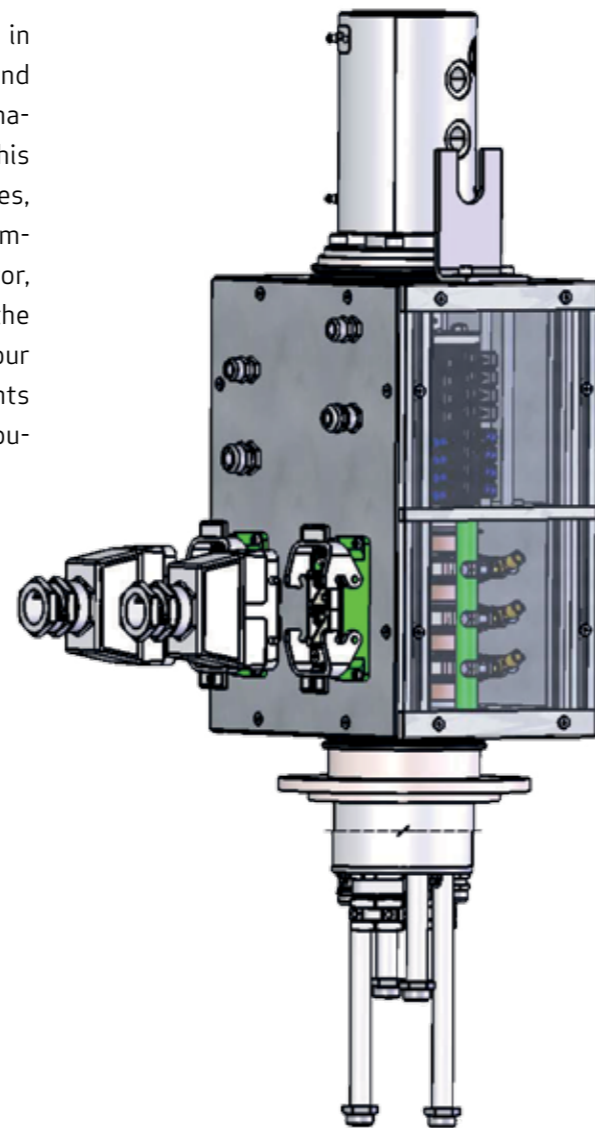
SLIP RING TRANSMITTER FOR YOUR PACKAGING SYSTEM

RELIABLE, INNOVATIVE PRODUCTS
FOR PACKAGING MACHINES FROM TOMORROW



RELIABLE DATA TRANSFER

REKOFA™ has developed a new slip ring standard in response to the ever-increasing functionality and data frequency demands placed on packaging machines, for example in foil lamination systems. This new design makes it possible to offer high voltages, data (such as DriveCliqu) and media in a single compact, continuously rotating hybrid rotary distributor, all with low prices and high levels of quality. And the best part is: We can even provide variations on our modular standard, take your customer requirements into account and for example provide rotary distributors with diagnosis capabilities!



ADVANTAGES

- Life span: up to 250 million rotations
- Maintenance access
- Cost-effective thanks to standardisation
- Combinable data, power and media
- Optional rotary encoder connection
- Freely selectable plug or cable outputs on the housing
- Robust, multi ball bearing design
- Can be combined with contactless systems (fibre-optic, capacitive)
- **NEW:** up to 250 rpm!

TECHNICAL DATA

• Currents	160A, 600V (max. 1,000 A, 2,000V per track)
• Data frequency	Data up to Gbit/s (including Drive Cliqu, Profinet, etc.)
• Transmission media	Carbon, silver, optical fibre, etc.
• Maintenance	Maintenance-free in numerous applications
• Number of sliding tracks	>100 tracks
• Hybrid	Combination of power, encoder signals, data and media
• Protection class	Up to IP67

APPLICATIONS IN THE PACKAGING, PRINTING AND TEXTILES INDUSTRIES

- Reel stands
- Stretch-Wrapping
- Labelling machines
- Laminating systems
- PET blowing machinery
- Rotating bagging machines

Our slip ring transmitters are used anywhere where power, data and media must be transferred from a fixed component to also a continuously rotating shaft.

We supply our products to 15 industries and over 50 applications. In addition to packing machinery, these also include mobile excavators, wind turbines, bottling equipment and welding turn tables in the automotive industry.

